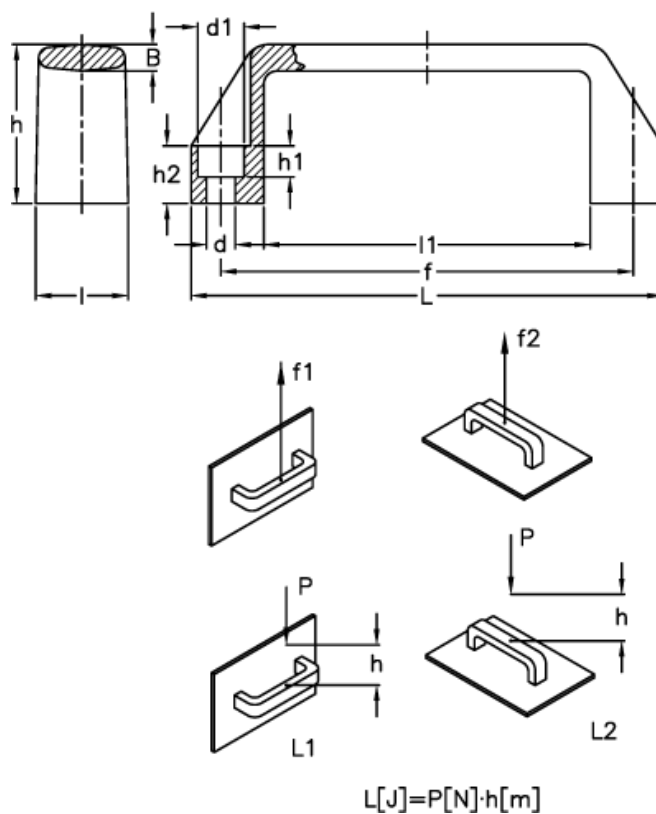


Data Sheet



Article number: 2304037205
Description: E+G Handle
M.443/200-CH, Red

Measures



B	= 8.0	$h2$	= 17
d	= 8.5	l	= 28
$d1$	= 13.5	L	= 197
f	= 179 +/- 1	$l1$	= 153
$F1$ (N)	= 2800	$L1$ (J)	= 28
$F2$ (N)	= 2700	$L2$ (J)	= 17
h	= 50		
$h1$	= 8.5		